

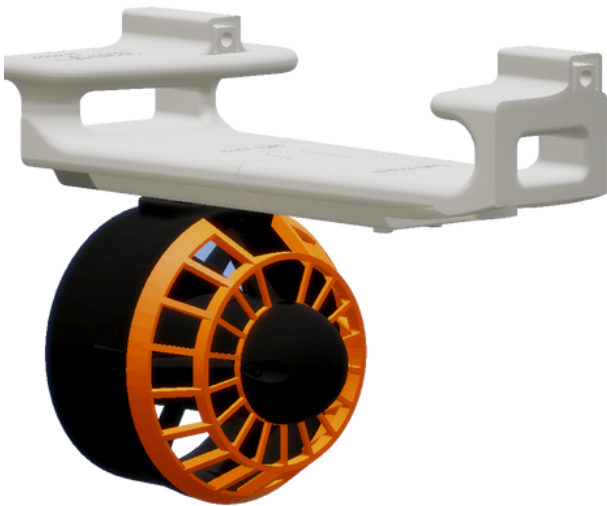
STORK "Bocian"

Remote System dla Teledyne RDI StreamPro ADCP

(bezprzewodowy system sterowania RDI StreamPro ADCP)

Stork Remote System

- SZYBKI i BEZPIECZNY POMIAR
- ŁATWY MONTAŻ i DEMONTAŻ bez modyfikacji StreamPro
- SILNIKI BEZSZCZOTKOWE BLUE ROBOTICS T200



Parametry techniczne

Max. prędkość	2.0 m/s
Waga	2kg z nadajnikiem R/C
Napięcie	20,5V
Wydajność baterii	1,5h pracy przy średniej prędkości
Napęd	2 x T200 Blue Robotics stery strumieniowe
Materiał	PETG
Radio nadajnik	Frsky-RC
R/C częstotliwość	2,4 Ghz
R/C zasięg	> 100m
Gwarancja	12 miesięcy
Zawartość zestawu	Dwa silniki T200 z mocowaniem do StreamPro, jednostka centralna, okablowanie, baterie z ładowarką, radio nadajnik, skrzynka transportowa

Water Survey Tech Sp. z o.o.

www.watersurveytech.pl
www.storkRS.com

ul Trojańska 7
02-261 Warszawa
email: office@watersurveytech.pl

every drop counts

Water Survey Tech



hydrologia, hydrografia, analizy

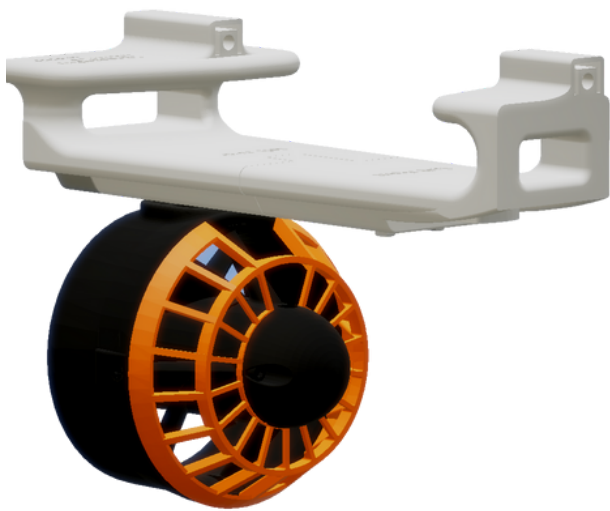
www.watersurveytech.pl

STORK

Remote System for Teledyne RDI StreamPro ADCP

Stork Remote System

- REDUCE SURVEY TIME
- IMPROVE YOUR SAFETY
- EASY TO MOUNT AND REMOVE
no mechanical integration
needed
- POWERFUL AND ROBUST T200
THRUSTERS FROM BLUE ROBOTICS



Technical specification

Top speed	2.0 m/s
Weight	2kg with R/C control
Power	20,5V
Battery performance	1.5h of continuous operation with typical cruise speed
Thrusters	2 x T200 Blue Robotics thrusters
Material	PETG
R/C control	Frsky-RC
R/C frequency	2,4 Ghz
R/C range	> 100m
Warranty	12 months
SRS package includes	set of two thrusters mountings with T200 thrusters, battery compartment mounting, cabling, battery and charger, R/C controller, shockproof case

Water Survey Tech Sp. z o.o.

www.watersurveytech.pl
www.storkRS.com

Trojanska Str. No.7
02-261 Warsaw, Poland
email: office@watersurveytech.pl

Water Survey Tech

every drop counts

www.watersurveytech.pl



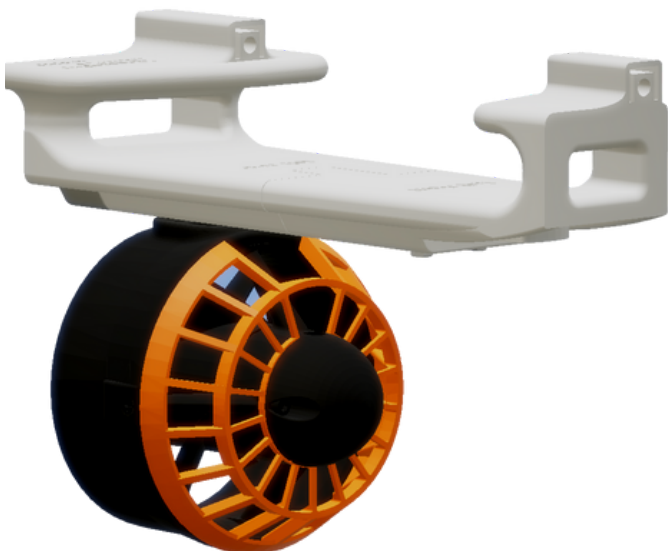
STORK

Remote System for Teledyne RDI StreamPro ADCP

Performing a discharge measurement with an ADCP is not always easy. You need to run a boat or you need to deploy it with tethered line from the bridge or from bank to bank. This usually requires perfect location and some resources for your measurement. What if there was a simpler way?



Stork Remote System (SRS) has been designed to allow TRDI StreamPro ADCP users to perform discharge measurements in streams, rivers and lakes easier and faster, without even entering the water. Easy to mount, plug&play set of two thrusters, battery package and R/C controller. Changing your standard tethered float into Unmanned Surface Vessel (USV) will take only few minutes.



Stork Remote System

- REDUCE SURVEY TIME
- IMPROVE YOUR SAFETY
- EASY TO MOUNT AND REMOVE
no mechanical integration
needed
- POWERFUL AND ROBUST T200
THRUSTERS FROM BLUE ROBOTICS

Easy mounting and removal

SRS is a set of dedicated thrusters mountings and battery compartment – both ideally fits a standard StreamPro ADCP float.

No custom works required, no bolts, no permanent modification. Transforming your tethered boat into USV will take only 5 minutes and you can detach it easily if needed.

Power and range

SRS uses highly robust and powerful Blue Robotics T200 thrusters. Field proved on thousands of marine robotic vehicles. Remote control transmitter uses 2.4GHz frequency and allows to steer for more than 300m.

Cost efficient

SRS can save your survey time by eliminating the need of perfect location, use of tethered line or looking for a bridge for deployment. This also affects your own safety by reducing the need of going into the water. The complete package is light, user friendly and affordable.

Technical specification

Top speed	2.0 m/s
Weight	2kg with R/C control
Power	20,5V
Battery performance	1.5h of continuous operation with typical cruise speed
Thrusters	2 x T200 Blue Robotics thrusters
Material	PETG
R/C control	Frsky-RC
R/C frequency	2,4 Ghz
R/C range	> 100m
Warranty	12 months
SRS package includes	set of two thrusters mountings with T200 thrusters, battery compartment mounting, cabling, battery and charger, R/C controller, shockproof case

Water Survey Tech Sp. z o.o.

www.watersurveytech.pl
www.storkRS.com

Trojanska Str. No.7
02-261 Warsaw, Poland
email: office@watersurveytech.pl

Water Survey Tech

every drop counts

www.watersurveytech.pl



STORK "Bocian"

Remote System dla Teledyne RDI StreamPro ADCP

(bezprzewodowy system sterowania RDI StreamPro ADCP)



STORK REMOTE SYSTEM TO:

- **SZYBKI I BEZPIECZNY POMIAR**
- **ŁATWY MONTAŻ I DEMONTAŻ bez modyfikacji StreamPro**
- **SILNIKI BLUE ROBOTICS T200**

PARAMETRY TECHNICZNE

Max prędkość	2.0 m/s
Waga	2kg z nadajnikiem R/C
Napięcie	20,5V
Wydajność baterii	1,5h pracy przy średniej prędkości
Napęd	2x T200 Blue Robotics stery strumieniowe
Materiał	PETG
Radio nadajnik	Frsky-RC
R/C częstotliwość/ zasięg	2,4 Ghz/ > 100 m
Gwarancja	12 miesięcy
Zawartość zestawu	Dwa silniki T200 z mocowaniem do StreamPro, jednostka centralna, okablowanie, baterie z ładowarką, radio nadajnik, skrzynka transportowa

Water Survey Tech Sp. z o.o.

www.watersurveytech.pl
www.storkRS.com

ul Trojańska 7
02-261 Warszawa
email: office@watersurveytech.pl

every drop counts

Water Survey Tech



hydrologia, hydrografia, analizy

www.watersurveytech.pl

hydrologia, hydrografia, analizy

Water Survey Tech Sp. z o.o.

www.watersurveytech.pl
www.storkRS.com

ul Trojańska 7
02-261 Warszawa
email: office@watersurveytech.pl



every drop counts

**Water
Survey Tech**

www.watersurveytech.pl